

AMERICAN WORKING TERRIER ASSOCIATION BOOK OF RULES & REGULATIONS



Grey Wolf



Woodchuck



Raccoon

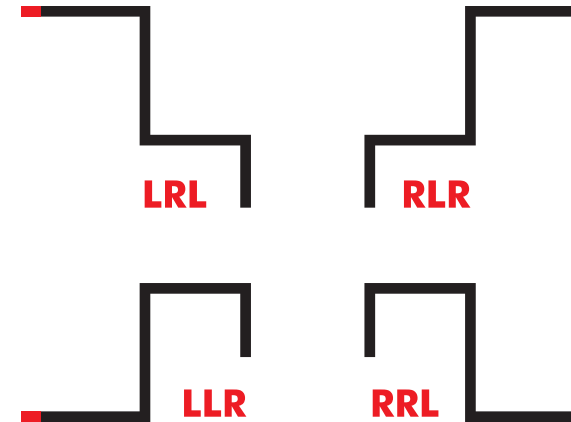


Lynx



Index

American Working Terrier Association Objectives	3
Breeds Recognized by the AWTA	3
Working Certificate (WC):	3
Hunting Certificate (HC):	4
Certificate of Gameness (CG):	5
Veteran Earthdog Award	6
AWTA Earthworker Award	6
General Trial Information:	6
Sponsorship of AWTA Trials	7
Judges and Representatives	9
Trial Committee	11
Quarry	12
Preparing the Earths for the Trial	13
Judging The Classes	15
AWTA Classes	17
Awards	17
Score Sheets:	17
Official AWTA Judge's Score Sheet — All Classes	19
Official AWTA Judge's Score Sheet	21
Official AWTA Judge's Score Sheet	23
Tunnel Diagrams & Layouts	24



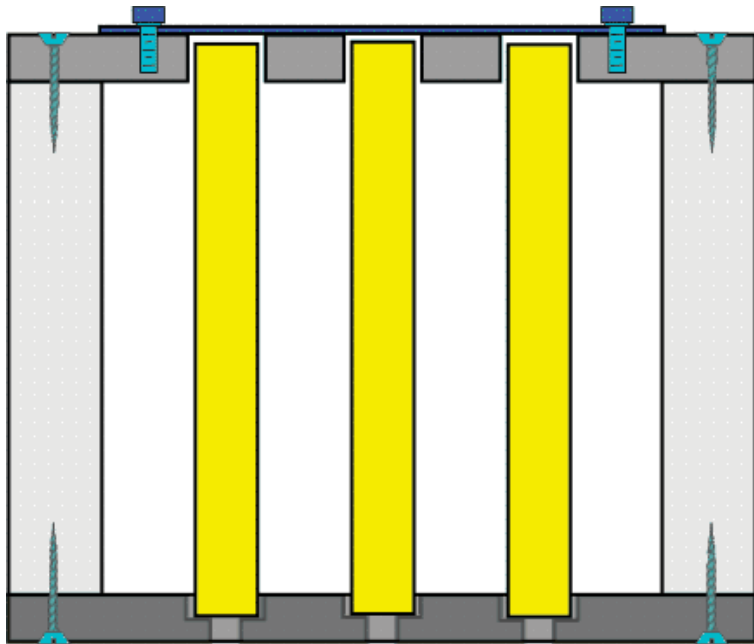
The American Working Terrier Association was founded in 1971 by Patricia Adams Lent to encourage and promote through fine literature (like the *Down To Earth* newsletter and the website, and field trials) the breeding, **hunting**, and ownership of terriers of correct size, conformation, and character to perform as working terriers. From modest beginnings, the organization has grown to include over two hundred members and holds field trials across the country and throughout the year.

In 1972, Dachshunds were accepted by the AWTA and quickly became regulars at the trials. The Association issues Certificates of Gameness (CG) to dogs qualifying at the trials in the Open Division, Hunting Certificates (HC) to dogs used regularly for hunting over a period of a year, and Working Certificates (WC) to dogs that qualifying with work in a natural den.

Note: This is one example of how the dowels can be placed. The primary concern is that the dowels be replaceable, but the dog must not be able to remove them.

Holes for 1" dowels should be 1 1/8" diameter.

Dowels set into hole in bottom of liner to anchor them. Note: Hole is 1/2 way through bottom, not completely through.



AMERICAN WORKING TERRIER ASSOCIATION

BOOK OF RULES & REGULATIONS

APRIL 30, 2009

American Working Terrier Association Objectives

One objective of the American Working Terriers Association (hereafter referred to as AWTA) is to encourage and preserve the natural instinct of the earth terriers, which is to enter and underground earth and react in a positive manner when facing the quarry.

A second objective of the AWTA is to encourage and preserve the natural hunting abilities of all terriers in above ground sport.

Breeds Recognized by the AWTA

For the purpose of AWTA den trials an earth breed is one of the correct size and character to enter a nine-inch artificial earth. The AWTA recognizes these breeds for competition in den trials: Australian, Bedlington, Border, Cairn, Cesky, Dandie Dinmont, Fell, Fox, Glen of Imaal, Jack Russell, Jagd, Lakeland, Norwich, Norfolk, Patterdale, Scottish, Sealyham, Skye, Welsh, and West Highland White terriers, and Dachshunds.

Any individual Feist, Rat terrier, terrier-cross, dachshund-cross or terrier of a breed not mentioned above who is of suitable size to fit in a nine-inch artificial earth may also be entered in den trials. In the certificate class (open to dogs and bitches who have already earned a Certificate of Gameness) these dogs will compete for High Scoring in Breed against each other in a miscellaneous category. The miscellaneous category may be divided into short-legged (12" and under) and long-legged (over 12") at the discretion of the trial chairman.

For hunting (both in natural earths and above ground) and for above ground hunting tests the AWTA recognizes all of the above listed breeds and miscellaneous terriers plus the breeds of the terrier group of any of the major national all-breed kennel clubs (such as the AKC, UKC, CKC, KC, FCI) and their crosses.

Working Certificate (WC):

The WC is awarded only to dogs whose owners are AWTA Members in good standing at the time of qualifying work. A terrier or dachshund can earn

a WC to each of the following quarry worked in a natural earth: woodchuck, fox, raccoon, badger, aggressive possum, and other quarry found acceptable by the Trustees on review of an application submitted by a member for earth-work done to that quarry. This does not include work in a drain or otherwise man-made earth. The dog must enter the earth without assistance. If the dog is actively marking a restricted or impeded entrance to an earth, removing a restriction, such as a stone or root, is allowed. However, no further assistance, alteration or enlargement of the entrance to the den is permitted. The dog must enter far enough to be completely out of sight when a person is looking down the hole.

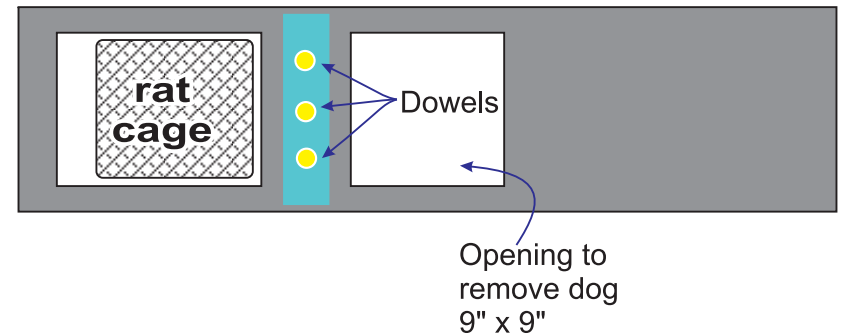
The dog must locate the quarry in the earth completely on its own without encouragement (dog or human). Simple verbal communication from the handler to the dog is allowed. Loud, frenzied, or excited verbal encouragement intended to work-up the dog is not allowed. The dog must work alone (only one dog in the earth), must work down to the quarry and cause it to bolt, or draw it from the earth. If the quarry does not bolt or is not drawn, the terrier or dachshund must work in a manner sufficient to allow diggers to locate and dig to the quarry. There is to be no doubt that the dog is right up to the quarry while marking. A visual positive identification of the quarry is required.

The terrier or dachshund must work by the above rules and another AWTA member must witness the dog's work. A WC application, which includes a written, detailed report of the hunt, bearing the signatures of both the owner(s) who were present and at least one witness, along with the filing fee (\$5.00) must be sent to the Hunting and Working Certificate Secretary. The WC application must be submitted within one year of the hunt. The H&WC Secretary will send a copy of the report to each of the Trustees for their review and approval. A unanimous approval is required to award the Working Certificate. Reason(s) for disapproval will be sent to the person requesting an evaluation. When more than one person owns a dog, the only name(s) that will appear on the working certificate are those of the owner(s) who were present when the certificate was earned.

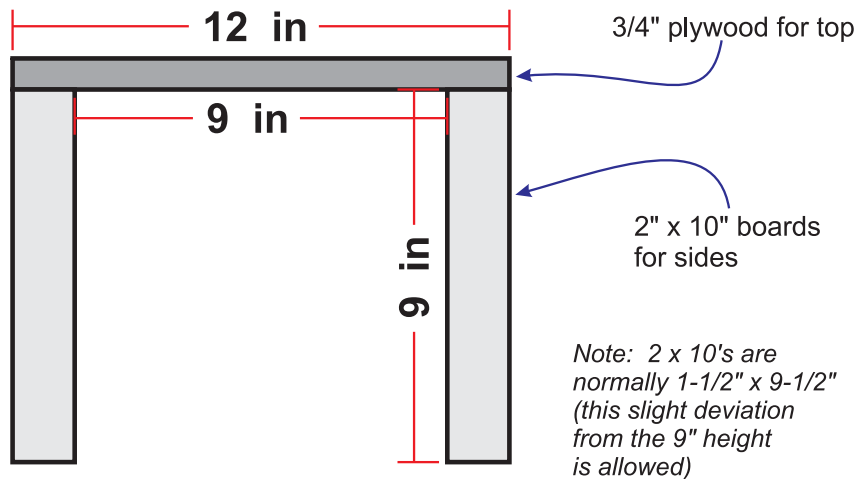
Hunting Certificate (HC):

A hunting certificate is awarded only to dogs whose owners are AWTA members in good standing during the entire period of qualifying work. This certificate is issued to dogs regularly used for hunting above ground such quarry as groundhog, rabbits, squirrels, opossums, rats, raccoons, muskrats, mongoose, feral pigs or for flushing and/or retrieving upland birds and other quarry found acceptable by the trustees on review of an application submitted by a member for hunting above ground done to that quarry. Certificates will

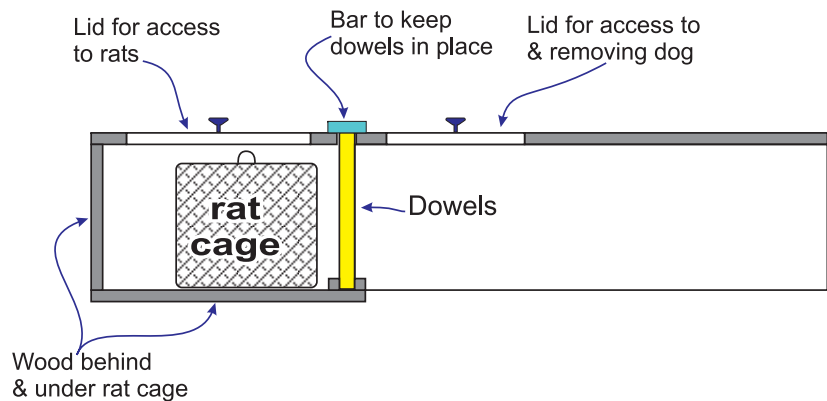
Top View of Liner, (rat end)



Cross Section of Liner



Cross Section of Liner, (rat end)



be awarded to either a specific quarry or multiple quarries. The game must be accounted for by the dog or taken using another legal hunting method. A dog must spend a full season hunting or at least 6 consecutive months depending on the quarry or quarries worked before a certificate is issued. A season is whatever time is allowed by state hunting regulations when the species is controlled by state game laws or 6 months from the first qualifying hunt if the species is not controlled by game laws. When a combination of quarry (controlled and not controlled) is hunted to qualify for a HC, the time allowed is 6 months from the first qualifying hunt (controlled and/or not controlled). An AWTA member or combination of members must have witnessed the dog hunting on at least six occasions and attest that it is used regularly for hunting.

An HC application which includes a written, detailed report describing your dachshund's or terrier's hunting experience, bearing the signatures of the owner(s) who hunted the dog and at least one or more witnesses who can attest to at least 6 hunting occasions and to the fact that the dog is used regularly for hunting above ground. The application must be sent within one year of the end of the hunting season or the end of the 6 month qualifying period which ever applies along with a five dollar (\$5.00) filing fee (additional \$5 for an award flask if wanted) to the Hunting and Working Certificate Secretary. The H&WC Secretary will send a copy of the report to each of the Trustees for their review and approval. A unanimous approval is required to award the Hunting Certificate. Reason(s) for disapproval will be sent to the person requesting the evaluation. When more than one person owns a dog, the only name(s) that will appear on the hunting certificate are those of the owner(s) who actually hunted with the dog.

Certificate of Gameness (CG):

This certificate is awarded to a dog that qualifies with a score of 100% in an Open Class at an AWTA sanctioned trial. The dog is required to travel a thirty-foot earth, reaching the quarry within thirty seconds (50%). The dog must then work the quarry, as defined on the Judge's score sheet, continuously for a full sixty seconds (50%). the handler may give one command on release and then must stand quietly at the release point throughout the test. Time in the Open Class is stated when the dog is released. The dog may enter the earth, come out, and reenter providing he does not go all the way to the quarry. He is not penalized as long as he reaches the quarry within thirty seconds from time of release. Once the dog reaches the quarry he must not leave it; if he does, he receives no score for working even though he may return to the quarry. If the dog reaches the quarry within thirty seconds and worked the quarry continuously for a full minute, he earns his CG. The dog's score

sheet will be sent, with the trial report, to the Trial Secretary who will issue the Certificate of Gameness. "Work" is defined on the judge's score sheet as barking, growling, whining, digging, biting at the cage, lunging at the cage, and/or a frozen, concentrated, focused stare (Note for Judges: when a terrier is doing concentrated staring, the focus of the terrier must be tested by moving the rat cage which should result in a favorable reaction from the terrier if it is working.) Any definite break in work marks the dog's time, even though he starts up again, this does not mean a natural change from one type of work to another.

Veteran Earthdog Award

The Veteran Earthdog title is awarded to dogs whose owners are AWTA members in good standing during the entire period of qualifying work. When applied for by the owner, this award is for the earthdog that has completed the following requirements:

A single terrier must earn 10 WCs (HC can count as one WC)

WCs must include work to at least 3 different quarries.

WCs must be witnessed by at least 3 different witnesses.

The award for the Veteran Earthdog will be a special frame with mat that will be appropriate for the documentation of the Veteran Earthdog Award but could also be used for a picture of the earthdog.

AWTA Earthworker Award

Awarded to AWTA members in good standing who have accumulated 10 WC (one HC can be substituted for a WC) on 10 different earthdogs. The award for the AWTA Earthworker will be an English digging shovel with the AWTA logo burned onto the shaft.

NOTE: Applications for Working or Hunting Certificates from new members will not be accepted by the Hunting and Working Certificate Secretary until 30 days after the membership application is received by the Recording Secretary. This will allow time for the new membership to be processed and the member's name to be added to the membership roster so that the H&WC Secretary can verify the membership status of the WC/HC applicant. The same 30 day processing period also applies to the witness for a WC/HC.

General Trial Information:

The changes for 2009 will be as follows:

1. Participation in den trials still does not require membership.
2. If a dog passes open, they can receive the ribbon and flask as before but if they want the Certificate of Gameness, CG, the owner needs to be a

Official AWTA Judge's Score Sheet

Open or Certificate (Indicate class)

Trial _____ Date _____

Judge _____

Name of Dog _____

Breed _____ Age _____

Owner _____

No. _____ Total Score _____ Certificate Class ONLY- Top qualifier _____

REACHING THE QUARRY: The Open and Certificate Classes do not allow the handler to assist the dog. The handler may give one command on release and then must remain quietly at the release point throughout the test. Time in these classes will be started when the dog is released. In the Open and Certificate classes the dog has 30 seconds from release to reach the quarry. The dog may enter, come out, and then re-enter. The dog is not to be discredited provided it reaches the quarry within the 30 seconds.

TIME FROM RELEASE TO REACHING QUARRY: _____

Reaches quarry within 30 seconds = 50 points.

Score _____

WORKING THE QUARRY: Once the dog has reached the quarry, it must work continuously for one minute to earn the maximum of 50 points. If the dog leaves the quarry before beginning to work, it will receive a zero for the Work. "Work" is de as barking, whining, growling, biting at the bars or cage, lunging at the cage, digging, or a frozen, concentrated, focused stare. Any de break in work marks the dog's time, even if the dog starts working again. This does not mean a natural change from one type of work to another.

TOTAL TIME DOG WORKS WITHOUT BREAK: _____

Works full minute= 50 points. _____

Judge's comments (Describe exactly how the dog "worked"): _____

Score _____

WORKING THE QUARRY:

Once the dog has reached the quarry, it must work for thirty seconds to earn the maximum of 50 points. If the dog leaves the quarry before it begins to work, then it receives no points. "Work" is de as barking, whining, growling, biting at the bars or cage, lunging at the cage, digging, or a frozen concentrated focused stare. Any de break in work marks the dog's time, even if the dog starts working again. This does not mean a natural change from one type of work to another. If the dog is not reacting to the quarry, then the judge may advise the handler to come to the opening to encourage his dog. Deductions will be made if encouragement is required.

TOTAL TIME DOG WORKS, WITHOUT BREAK: _____

- _____ Works full 30 seconds= 50 points
- _____ Works 15 to 29 seconds= 25 points
- _____ Works less than 15 seconds= 10 points
- _____ Mild encouragement, deduct 5 points
- _____ Much encouragement, deduct 10 points

Judge's comments (Describe exactly how the dog "worked"): _____

Score _____

member or become one within 30 days of the trial date. Membership forms should be available at trials.

3. First year memberships to the AWTA will have an introductory rate of \$10 starting in 2009.
4. If the 30 day time limit for membership for the CG elapses, the terrier will be considered to not have obtained a CG and will have to pass the open class again satisfying the membership requirement in order to obtain the CG title. A flask and ribbon will not be awarded. A check box next to the open class will be used to indicate if the participant has previously received a ribbon and flask in the open class.

AWTA trials must always be open to all eligible breeds. Trials are never to be held for a specific breed.

AWTA trials may be held concurrently with other events provided that the approval of the trustees has been obtained in advance.

Concurrent events must not interfere with the smooth running of the AWTA trial.

Saturday/Sunday (back to back) trials may be held. In that event, the earths must be in different locations and preferably at separate sites. The same judge may not judge the same class at both trials.

Judge/Representatives and Chairmen will be held responsible for any infraction of the AWTA rules as stated in this book of rules and procedures. When Judges and Chairmen are at fault for not upholding the rules or are found guilty of misconduct by the Trustees, they will not be sanctioned to act as judges or chairmen for a minimum period of one year. The exact length of probation will be at the discretion of the Trustees.

Waivers to these rules: The Trustees' approval must be received in advance of any planned deviations.

No bitch in season may be entered.

Judge's dogs or co-owned dogs may be entered at the trial, if another AWTA approved judge is available to judge them.

Judges may not chair trials at which they are judging.

Seniority rights for long-standing trial dates will persist from year to year and new groups will have to honor these dates.

Sponsorship of AWTA Trials

Entry Fee: The AWTA will collect \$3 per dog entered in the trial. This means \$3 per dog per entry. When a dog moves up to Open from a Novice class, the AWTA will again collect \$3 from that entry fee. However, when a dog moves up to the Certificate Class from Open, no fee is charged. The AWTA will collect \$3 per dog entered directly in the Certificate Class. Pre-en-

tries absent from the trial will be included in the \$3 per dog owed the AWTA. The sponsoring group may charge any price they feel is appropriate.

Application Fee: A deposit of \$50.00 will be sent to the AWTA Trial Secretary. See the current Down to Earth for the name and address of the Trial Secretary.

Once the trial is approved the AWTA will provide:

- Official AWTA Rulebook
- AWTA Official Score Sheets (substitutes not allowed)
- List of AWTA approved judges
- Blank entry forms (Trial sponsor will make as many copies as are needed.)
- Appropriate AWTA forms for documenting the trial results. These forms must be filled out by the Trial Chairman and the Judge the day of the trial and returned to the AWTA Trial Secretary within seven days following the trial.
- Ribbons for Novice A, Novice B, Open, and Certificate classes.
- Trophies for each dog receiving its Certificate of Gameness. Trophies will be shipped to the Chairman and must be requested several weeks prior to the trial. Chairman will return unused trophies (AWTA will pay this postage). Note: Canadian groups are responsible for customs charges and are encouraged to find alternative ways for trophy distribution.
- Insurance

How a group is sanctioned:

AWTA trials may be held wherever enough support is indicated. Interested groups must have a Chairman who is an AWTA member in good standing. Groups that want AWTA sanctioning for a trial must provide the AWTA Trial Secretary with a completed application at least three months prior to the planned date of the trial.

First time trials will have a judge appointed by the trustees. The judge's expenses will be agreed upon in advance and the AWTA will pick up any of the judge's expenses that the sponsoring group cannot meet. This will only be done for a first time trial.

Judges and Trial Chairmen must have this official AWTA Rule Book at trials where they are officiating. AWTA Sanctioning of a trial will be discontinued, either temporarily or permanently, if the trial committee fails to follow AWTA rules explicitly.

Official AWTA Judge's Score Sheet

Novice A or B (indicate class)

Trial _____ Date _____
Judge _____
Name of Dog _____
Breed _____ Age _____
Owner _____
No. _____ Total Score _____

REACHING THE QUARRY:

The handler may give one command on release. After releasing the dog the handler may walk to the entrance and stand quietly. In the Novice Classes, if the judge feels the dog needs encouragement to enter then he will advise the handler to encourage the dog. Deductions will be made if encouragement is required. Time is started when the dog enters the earth. The dog has one minute to reach the quarry and during this time he may come out and re-enter several times. If the dog reaches the quarry within 1 minute and no encouragement has been given, then 50 points are earned.

TIME FROM ENTERING TO REACHING QUARRY: _____
____ Reaches quarry before 1 minute= 50 points
____ Reaches quarry in 1 to 2 minutes= 25 points
____ Mild encouragement given, deduct 5 points
____ Much encouragement given, deduct 10 points
Score _____



CERTIFICATE CLASS

REACHING THE QUARRY:

Time from dog's release to reaching quarry: _____

Within 30 seconds, 50 points Score: _____

WORKING THE QUARRY:

Total time dog worked (without break): _____

If dog worked 60 seconds, 50 points. Score: _____

Judge's comments (Describe exactly how the dog "worked"):

Total Score: _____

Judges and Representatives

These officials must be on the AWTA approved list of judges. The individual Trial Chairperson will select a Judge except when this is the Chairman's first trial or the Chairman has previously been on suspension. In such cases the AWTA may make the appointment. The Judge, in addition to his judging assignment, will officially represent the AWTA and will submit a full report to the AWTA Trial Secretary on the Judge's Trial Report form, within 7 days following the trial. If the Judge finds any infractions of the AWTA rules or procedures, the Trial Chairman will be held responsible for correcting the infraction and the Trustees will take disciplinary action. The Judge must refuse to allow the trial to proceed unless all AWTA rules and procedures are properly enforced.

Judges are allowed to charge for the following expenses:

- Per mile expenses for travel to and from the trial on a direct route at the rate currently approved by the Trustees.
- Tolls
- Public transportation charges. This should be the most reasonable form of transportation based on time and cost factors.
- Time missed from work (must provide verification of wages lost).
- The Trial Chairman is to provide, at no cost to the AWTA, lodging for the judge with the chairman or a trial committee person, at home meals for the judge when overnight lodging is necessary, and lunch at the trial for the judge.

Judges must estimate their expenses when contacted about the assignment. Chairmen should then cross-check the estimation.

Judges are not to charge any additional fees.

Judges should hold an orientation, just prior to judging, with first-time handlers and interested spectators at the judging area to go over the rules and procedures and answer questions.

Following the judging, the Judge (or someone appointed by the Judge) should hold a training clinic for novice dogs and their handlers.

At any given trial all final decisions are the responsibility of the Judge/Representative who will see that all AWTA rules are enforced.

If a Judge/Representative is in violation of any AWTA rule it is the responsibility of the Trial Chairman to report it to the Trustees within two weeks following the trial. Any AWTA member may report to the Trustees any violations or misconduct of the Judge or Chairman within two weeks following the trial.

At the end of the trial the Judge/Representative will meet with the trial committee to discuss the operation of the trial, give an evaluation of the trial,

and review in a positive manner any aspect of the trial that might be improved in the future. The Judge will count all entries and submit a full report to the AWTA Trial Secretary on the Judge's Report form within seven days following the trial.

AWTA Judges Approval Process

Objective: It is the objective of the AWTA Judging Approval Process to provide participants at AWTA events with judges who are well versed in conducting den trials and other sanctioned events and are experienced in hunting with working terriers and dachshunds and who can apply that experience in evaluating dogs entered under them.

Judges will be able to act as a field representative of the AWTA at events and to serve as a mentor and liaison with the Event Chair and Secretary.

Guidelines for Applying: When, according to the Applicant's records, they have met the requirements, he or she shall submit a request in writing to the Trial Secretary requesting approval as an AWTA Judge. If the Trial Secretary finds the letter to be in order, it will be forwarded to the Trustees.

Minimum requirements:

- At least five years of verifiable experience in hunting with working terriers and/or Dachshunds in the field against natural quarry.
- The attainment of a Working Certificate issued by the AWTA to a dog owned and handled by the Applicant.
- At least two consecutive years of membership in the AWTA.
- Recommendation by two AWTA members in good standing who are not residents of the same household.
- Possess the physical ability to carry out a judging assignment.
- Serve as an Apprentice Judge in two AWTA events under two different approved judges who have held that status for at least three years and obtain a favorable report from these judges on the Apprentice Judge's performance. The Trustees may, at their discretion, approve an applicant who has served as an Apprentice only once.

In addition, the Applicant should have at least two of the following additional qualifications:

Serve as an Event Chair or Event Secretary at an AWTA event or demonstrate by other means an in-depth knowledge of event administration, record keeping and reporting.

Judging approval from another organization recognized by AWTA that sponsors similar events.

Significant experience as a handler at working terrier/Dachshund events, verifiable through titles and/or certificates earned. Documented experience

Official AWTA Judge's Score Sheet — All Classes

Trial _____ Date _____
Judge _____
Name of Dog _____
Breed _____ Age _____
Owner _____
No. _____ Total Score _____
Entry Fee Paid: Novice _____ Open _____ Certificate _____



NOVICE CLASS: A or B (indicate class)

REACHING THE QUARRY: Time dog enters earth, to reaching quarry:

Within 1 minute 50 points

1 to 2 minutes 25 points

Encouragement deduction: Mild, 5 points; Much, 10 points. Score: _____

WORKING THE QUARRY: Total time dog worked (without break): _____

30 seconds = 50 points; 15 to 29 seconds = 25 points

Less than 15 seconds = 10 points

Encouragement deduction: Mild, 5 points; Much, 10 points. Score: _____

Judge's comments (Describe exactly how the dog "worked"): _____

Total Score: _____



OPEN CLASS

REACHING THE QUARRY:

Time from dog's release to reaching quarry: _____

Within 30 seconds, 50 points. Score: _____

WORKING THE QUARRY:

Total time dog worked (without break): _____

If dog worked 60 seconds, 50 points. Score: _____

Judge's comments (Describe exactly how the dog "worked"): _____

Total Score: _____

with the working characteristics of multiple breeds of dogs eligible to compete at AWTA events. Such experience need not include ownership of those breeds.

Participate in an interview with a Trustee or other person designated by the Trustees regarding the Applicant's knowledge of AWTA Rules.

Final Approval:

A unanimous vote of the Trustees is required for final approval. Thereafter the Applicant will be notified of such acceptance and their name along with their contact information will be added to the list of judges that is published in Down To Earth.

Trial Committee

A committee made up of at least the following people shall be responsible for the trial's organization and operation:

- Trial Chairman who is an AWTA member in good standing and who will be held responsible for strict adherence to the AWTA Rules and Regulations as set forth in this Rule Book.
- Secretary/Gatekeeper
- Den Steward
- Den Master
- Judge's Steward

Responsibilities of the Committee

Chairman:

- File the Trial Request form and deposit with the AWTA (see below)
- Appoint the Committee members
- Oversee production of trial flyer and/or premium list
- Coordinate the digging of the earth, and the laying and scenting of the den under the Judge's supervision

Secretary: (may need assistants at large trials)

- Receive pre-entries and gate entries
- Distribute identifying badges for the Committee and workers
- Prepare lists of entries for the various classes for the Gate Steward
- Prepare the Score Sheets in numerical order for the judge. Note: the AWTA will supply a Score Sheet for duplication, qualifying ribbons and trophy flasks prior to the trial.
- Prepare AWTA Trial Reports at the end of judging and send to the AWTA Trial Secretary within seven days

Gate or Den Steward:

- Post running order of entries in holding area and make sure that the

judge knows the entry number or other identification for each dog before it is judged. Make sure that the flow of participants be even and timely.

Den Master:

- The Den Master will be in charge of the welfare of the quarry and for having adequate scent prepared and ready for use during the judging. This person will scent the den during the trial only at the direction of the judge and otherwise will remain at a discreet distance from the den. The scent should be prepared the day before the trial by mixing water with rat litter. The Den Master may be asked to conduct the training session that immediately follows the trial. The Den Master also may be approved by the AWTA to act as an apprentice to the Judge. This must in no way interfere with the smooth operation of the judging procedure.

Judge's Steward (optional):

- The Judge's Steward will quietly stay beside the Judge and record with a stopwatch the time for each part of the test. He then gives the time to the judge who records it on the score sheet. He will signal the Den Steward to call the next entry to the judging area. The Judge's Steward should not talk to the Judge unless the Judge directs comments to him. It is the Judge's prerogative to confer with his Steward at any point. A Judge has the option of keeping his own time. In that case the Judge's Steward stays back out of the way but ready to assist the Judge if asked. The Judge's Steward may be asked to conduct the training session that immediately follows the trial.
- A Judge's Steward may be approved by the AWTA to act as an apprentice to the Judge. This must in no way interfere with the smooth operation of the judging procedure.

Quarry

The quarry, for all classes at an AWTA sanctioned den trial, is caged rats. Rats may

be purchased through most pet stores. Allow plenty of time in case they have to be ordered. Do not order young rats. Specify the need for fully mature rats and use males, if possible. Two rats are required. Humane treatment of the quarry is mandatory. After the trial the rats can sometimes be returned to the place of purchase. Note: Trials held in the Province of Alberta have official AWTA approval to use two male gerbils.

AWTA Classes

Novice A: Open to dogs and bitches under 12 months of age that have not earned 100% in the Novice Class.

Novice B: Open to dogs and bitches 12 months of age and over that have not earned 100% in the Novice Class.

Open: Open to dogs and bitches that have scored 100% in the Novice Class or worked in a similar artificial earth or have worked to ground in a natural earth.

Certificate: Open to dogs and bitches that have earned the Certificate of Gameness. This class is provided for dogs that live in areas where natural quarry is limited or nonexistent.

Awards

Novice: A ribbon is to be given to each dog that qualifies in either Novice A or Novice B

Open: A ribbon and a trophy are given to each dog earning a Certificate of Gameness.

Certificate: Ribbons may be given to the top qualifiers by breed or category, in the Certificate Class.

A score of 100% is required to qualify in any class.

In addition to the above awards, which are offered by the AWTA, individuals, breed clubs, or sponsoring groups may offer prizes. It is important not to label the Certificate class awards as "high scoring" since all qualifiers in the class must earn 100%. Exemplary work has little to do with speed for the sake of speed alone.

NOTE: It is up to the judge to evaluate quality of work, ease of handling the dog or any other factors as he/she sees fit when selecting the top qualifier in each breed or category, in the Certificate Class. The judge's top qualifier should be the dog that most impresses the judge. If the judge has to select a dog of that breed to go hunting with, then based on the day's performance the top qualifier would be their choice.

Score Sheets:

An AWTA approved score sheet must be used to record each dog's performance. Official score sheets come in two styles: separate score sheets for each class or a single score sheet that can be used for all of the classes. Either style may be used.

sue one short command. After releasing the dog, the handler must remain at the release point, silently and without moving. Any further encouragement will result in no score. The dog must reach the quarry within 30 seconds then work, without a break, for a full 60 seconds. If the dog fails to reach the quarry within 30 seconds or does not work a full 60 seconds then he receives no score. No help can be given the dog either by the handler or the judge. At the completion of the test, the handler must remove the dog from the earth and promptly carry it from the judging area.

Certificate Class:

When a dog scores 100% in the Open Class he earns the *Certificate of Gameness*. The AWTA keeps a record of every dog that earns a CG. After being issued the Certificate of Gameness a dog is eligible for the Certificate Class only and cannot be entered in any other class. The Certificate Class is judged in the same manner as the Open Class.

Checklist For Trial

- Select date and send Trial Request Form and deposit to AWTA Trial Secretary at least three months prior to the trial. NOTE: If this is the first trial for a group application must be made by January 1 of the year the trial is to be held and must include a map of the site.
- Arrange for use of site.
- Arrange for restrooms or port-a-johns at the Committee's expense.
- Prepare & circulate a flyer for the trial using the class descriptions given in this Book. Remember to include entry fees, closing date for pre-entries, if gate or post entries are allowed, and the starting time of the trial.

Day Before The Trial

- Dig earth.
- Check that liners are correct dimensions. If a permanent earth is to be used the dimension should also be checked, any game driven off and the openings blocked until the next day.
- Mark off the judging area with fencing or ropes and stakes
- Post holding area and parking signs

EQUIPMENT NEEDED THE DAY OF THE TRIAL

- Quarry - two rats per den used; food and water for the quarry
- Two shovels for each den or a shovel and a trowel for each den.
- Spray bottle of scent for each den
- Clipboard, pen and pencil for each judge
- Water or other beverages for each judge

Preparing the Earths for the Trial

The location of both the Novice and Open/Certificate judging areas should be selected to reasonably minimize distractions. Two separate earths with the entrances at least 40-feet apart will be prepared before the trial. One earth will be for the Novice Classes and one for the Open and Certificate Classes. Earths are to be dug in the actual ground. Once prepared every precaution should be taken to keep all dogs away from the earths. No pre-trial practice is to take place at the trial site.

On the morning of the trial the Den Steward will scent the earths, with the Chairman and Judge observing. Alternatively the judge may elect to do the scenting of the earths. One scenting procedure is to lightly soak a small cloth rag with rat scent and drag it through the tunnels so it touches the ground from the entrance to the end. Care must be taken to keep scent from being

applied to any other place outside or around the tunnels. The use of alternate scenting procedures (such as using a squirt or spray bottle) is up to the discretion of the Judge.

Liners (construction diagrams are provided in the appendix section) are built to fit a nine-inch by nine-inch (inside dimension) square tunnel.

The Novice earth when fully constructed will be approximately ten feet long with one right angle (90 degree) turn. No deviation will be allowed.

The Open and Certificate earth when fully constructed will be approximately thirty feet long with three right angle (90 degree) turns.

No deviation will be allowed. The certificate class earth may include additional challenges such as simple obstacles, blind tunnels, and false entrances.

At the end of each earth an area is prepared to hold the caged quarry. Across the end of the liner facing the quarry insert three or four evenly spaced vertical one inch diameter wooden dowels. The liner must be constructed in such a way that the dowels can be easily removed and replaced during the course of the trial. Wooden dowels *are* required on newly constructed liners and *preferred* on liners built prior to June 2007. However, ¼ or ⅜ inch diameter smooth iron rods either vertical or horizontal, may be used on older liners. These rods **MUST BE** covered with ½ or ¾ inch PVC pipe and placed so that there is approximately one inch or less of space between the pvc covered rods. The dowels or pvc covered rods are mandatory to protect the quarry. No trial *may proceed* without them.

The tops of the liners must not be visible after being placed into the tunnel and covered with dirt. The earth should look as natural as is possible. The entrance should not be too heavily covered with brush or other materials, which might deter the dog from entering. The entrance should be inviting to the dog. It is also recommended that the judge and anyone assisting them within the den area be camouflaged or hidden.

The quarry will be placed into the den just before the judging begins. A solid box around the cage, open only to the bars at the end of the liner, will help prevent dogs from picking up the scent of the quarry. The den area over the caged quarry must be covered.

The Judging Area: Will be roped off from spectators and should be sufficiently large to insure that no part of the earth is less than 20 feet from the perimeter of the roped area.

The Holding Area: A designated area at least 100 feet from the perimeter of the judging area will be provided for contestants to stay with their dogs while waiting to be called into the judging area.

Judging The Classes

Approximately three entries should be in the Holding Area at any given time. The Den Steward will call individual entries into the Holding Area shortly before it is time for them to be judged.

Novice Classes:

The Den Steward will call the dog that is to be judged from the Holding Area into the judging area. The handler will remove the dog's collar and leash at the entrance, and then proceed to the starting point carrying the dog. The starting point is ten feet from and directly in front of the den entrance. The handler may give the dog verbal encouragement during this time. The judge briefly goes over what the handler must do, and then tells the handler to release the dog. The dog must be released at or below the handler's waist. The dog may be placed on the ground before being released. Throwing the dog in the direction of the entrance will not be permitted and will result in no score. At the time of release the handler may give one short command, after which the handler must remain silent unless instructed otherwise by the judge. Further encouragement results in point deductions. Time in the Novice Class is started when the dog enters the tunnel.

The dog may enter the earth, come out, and reenter providing he does not go all the way to the quarry. He is not penalized as long as he reaches the quarry within sixty seconds. Once the dog reaches the quarry he must not leave it; if he does, this marks his working. The Novice Class handler may walk to the entrance and stand quietly without losing points. The dog receives 50 points if it reaches the quarry within one minute and 25 points if it reaches the quarry within two minutes. No score after two minutes. When a Novice dog reaches the quarry, the Judge may shake, tap, scratch, or rattle the quarry cage to evoke interest. The dog must work (defined as barking, whining, digging, growling, biting or clawing the bars, lunging at the cage, or a frozen concentrated focused stare). Note for judges: When a dog is showing concentrated staring, the focus of the dog may be tested by moving the rat cage. This should result in a response from the dog if it is actually working. The work must be continuous without a break for 30 seconds to receive 50 points. Any natural change from one type of work to another does not constitute a break in the time worked. At the completion of the test, the handler will retrieve the dog from the earth and carry the dog away from the judging area.

Open Class:

Dogs shall be brought to the judging area in the same way as for the Novice Class. When the judge is ready, the handler will release the dog and may is-